



**SLIMLINE T**  
**PIVOTING GATE**  
*F500/550/600*



*\* Access control*  
*\* Several optional devices*

*\* For interior use*

## SLIMLINE T PIVOTING GATE F500/550/600

### Description

The Slimline T is composed of two devices. Each device is supplied with an automatic pivoting leaf and a cabinet equipped with an obstacle activation mechanism. This gate is particularly suitable for the control of secure access to sites.

### Operation

As soon as an authorization is validated by the reader, the motorization driven by an electrical control board allows to the leaves to liberate the passage. A form identification management (cells) allows to control the passenger during his crossing. The gate operates in «doors normally closed» mode, the leaf is closed and only opens if a passenger is permitted to cross the passage. All the entry and exit configurations are possible : free, controlled and forbidden.

### Safety

Passenger safety : a software security allows the reopening of the leaves if an obstacle is present during the movement.

Antic-panic system function : in case of a power shut down, the leaves are unlocked in both direction.

### Materials

- Cabinet and covers : AISI 304 stainless steel, thickness 2mm, with brushed finish using 220 grain
- The central glass and the leaves are made of tempered glass with a thickness of 8mm
- Vertical strip light : green or red

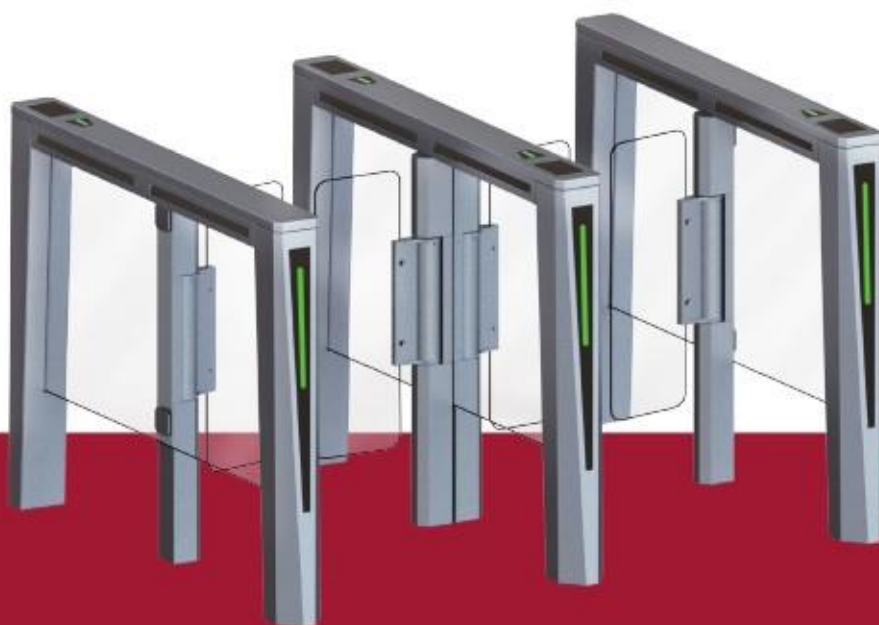
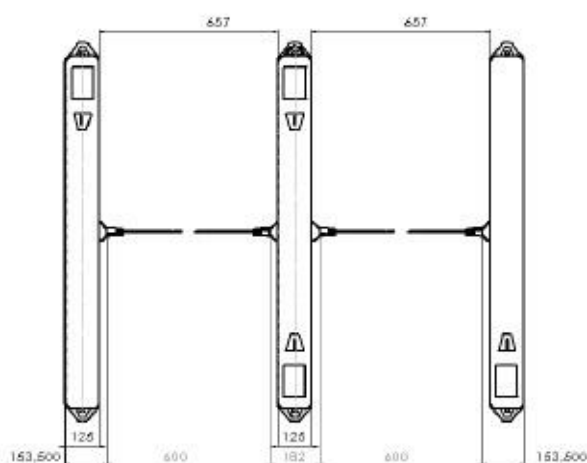
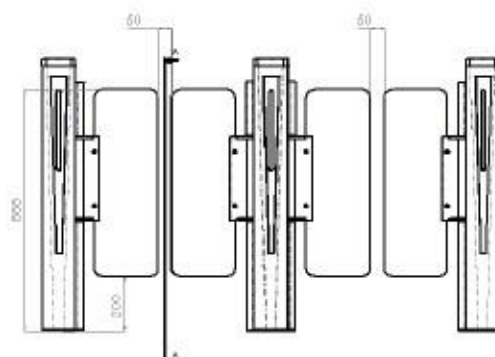
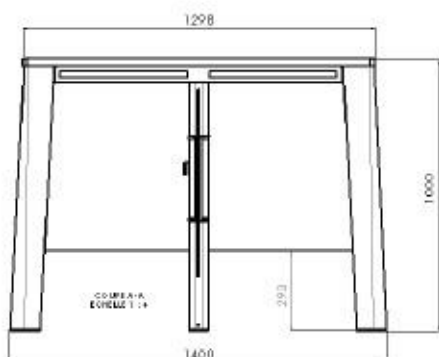
### Technical characteristics

- Power supply : 230 VAC +/-5%
- Frequency : 50-60Hz
- Power consumption : stand-by 50VA max, gate in service 150VA max
- Voltage of the control device : 24 VDC
- Flow : 40 passenger/minutes in controlled mode with contactless reader
- Operating temperature : -5 to +45°C
- Environmental humidity : less than 80%
- Weight : end gate 60 / inter gate 80 kg



## Options

- AISI 316 stainless steel
- Leaf in laminated glass
- Leaf in tinted glass
- High Leaf 1500/1700



# Klein Access Design

*MANUFACTURED IN FRANCE  
INSTALLED WORLDWIDE*



For illustration only. May differ from real product.  
Klein Access Design reserves the right to amend the information  
above without prior notice and in its sole discretion.



CE Datasheet 020 B GB PV F500/550/600 © Klein Access Design

75-89, rue de Guise  
02500 Hirson - France

Tél : + 33 3 23 99 21 00  
Fax : + 33 3 23 58 22 19

Email : [contact@kad.fr](mailto:contact@kad.fr)  
Site internet : [www.kad.fr](http://www.kad.fr)